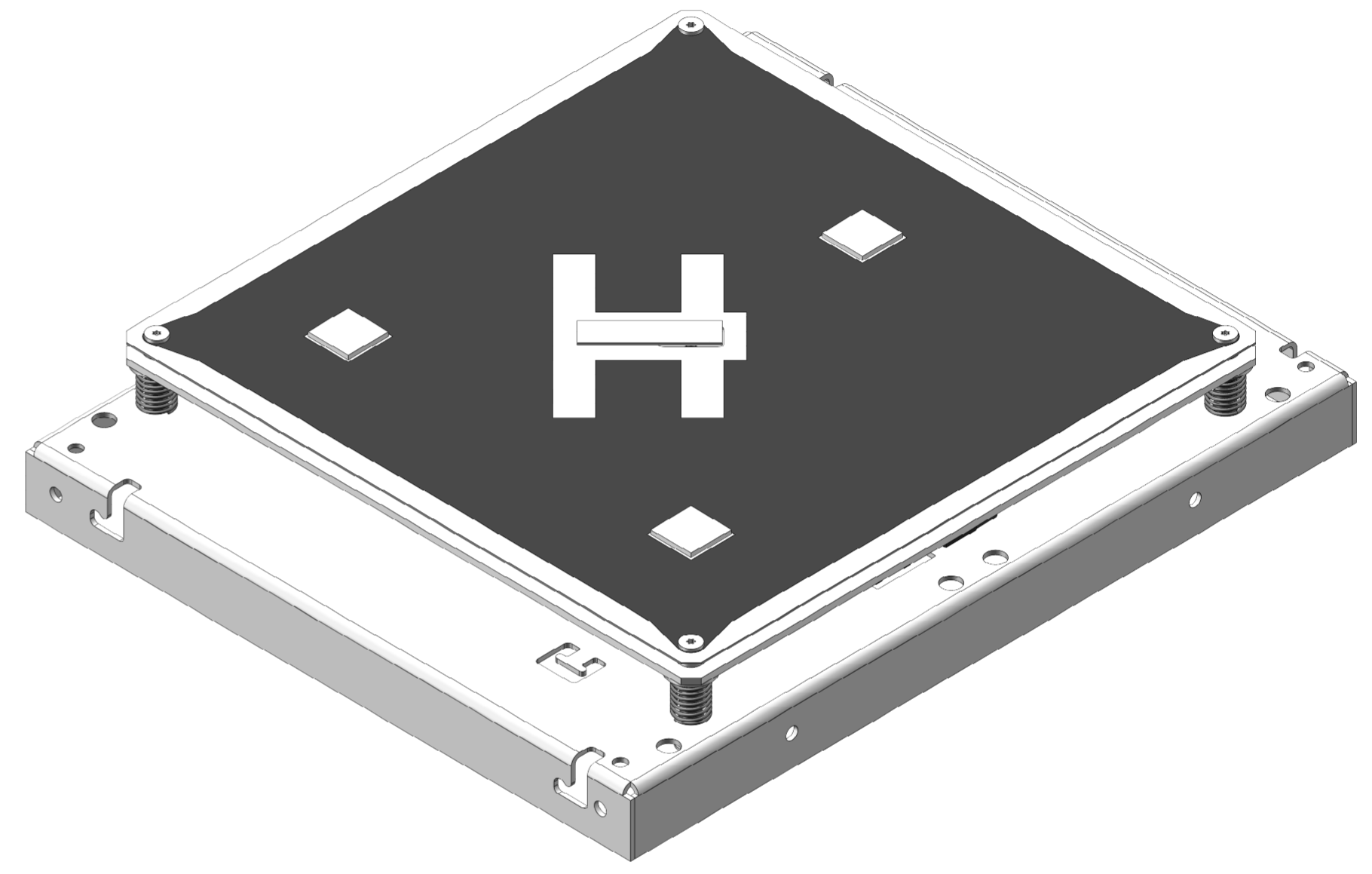
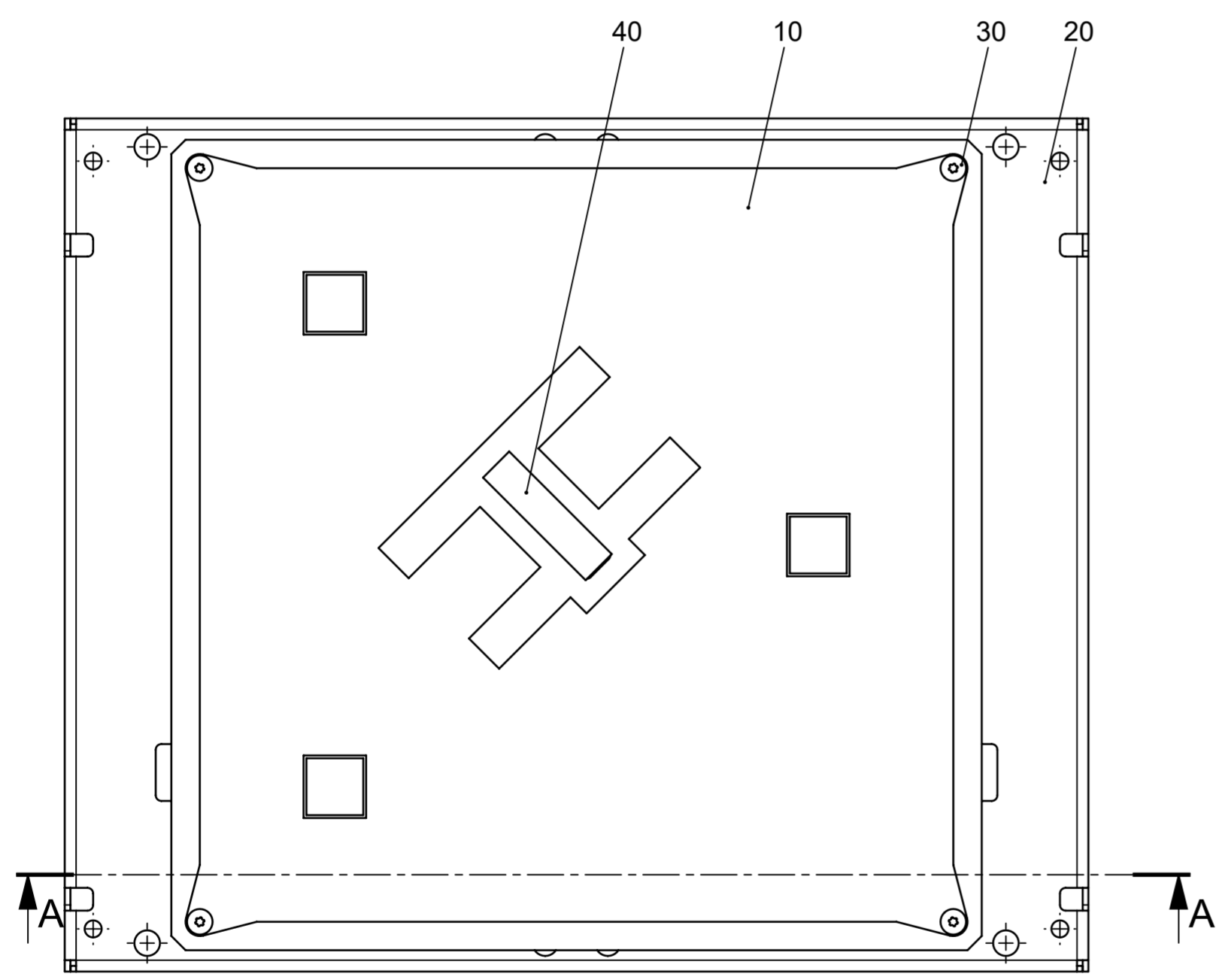
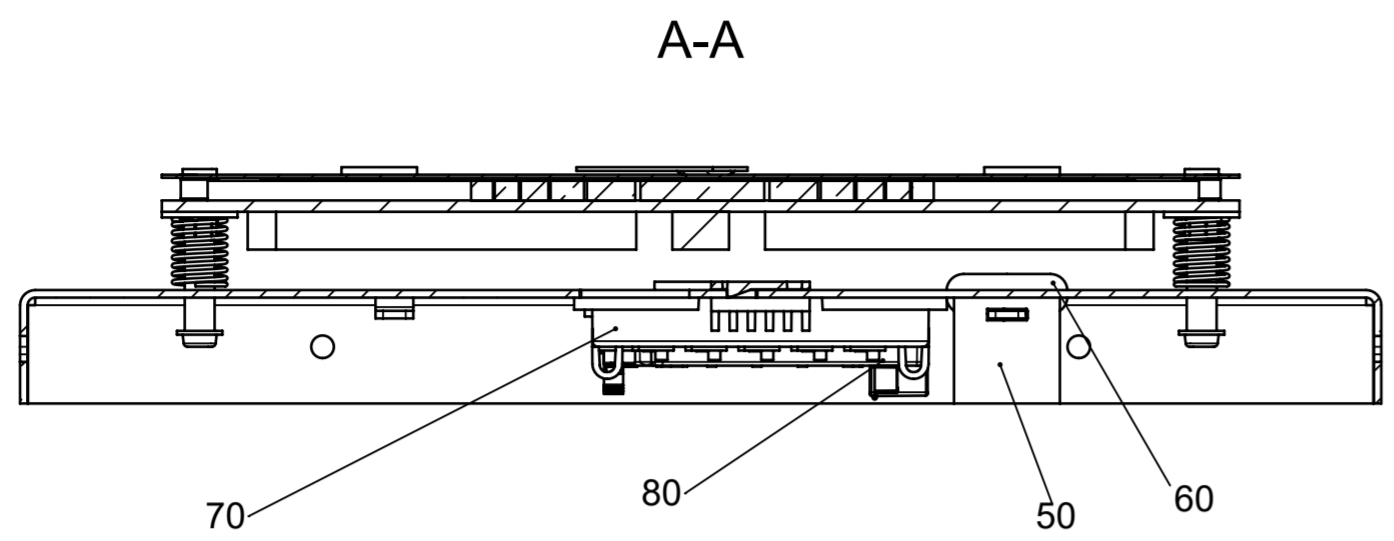
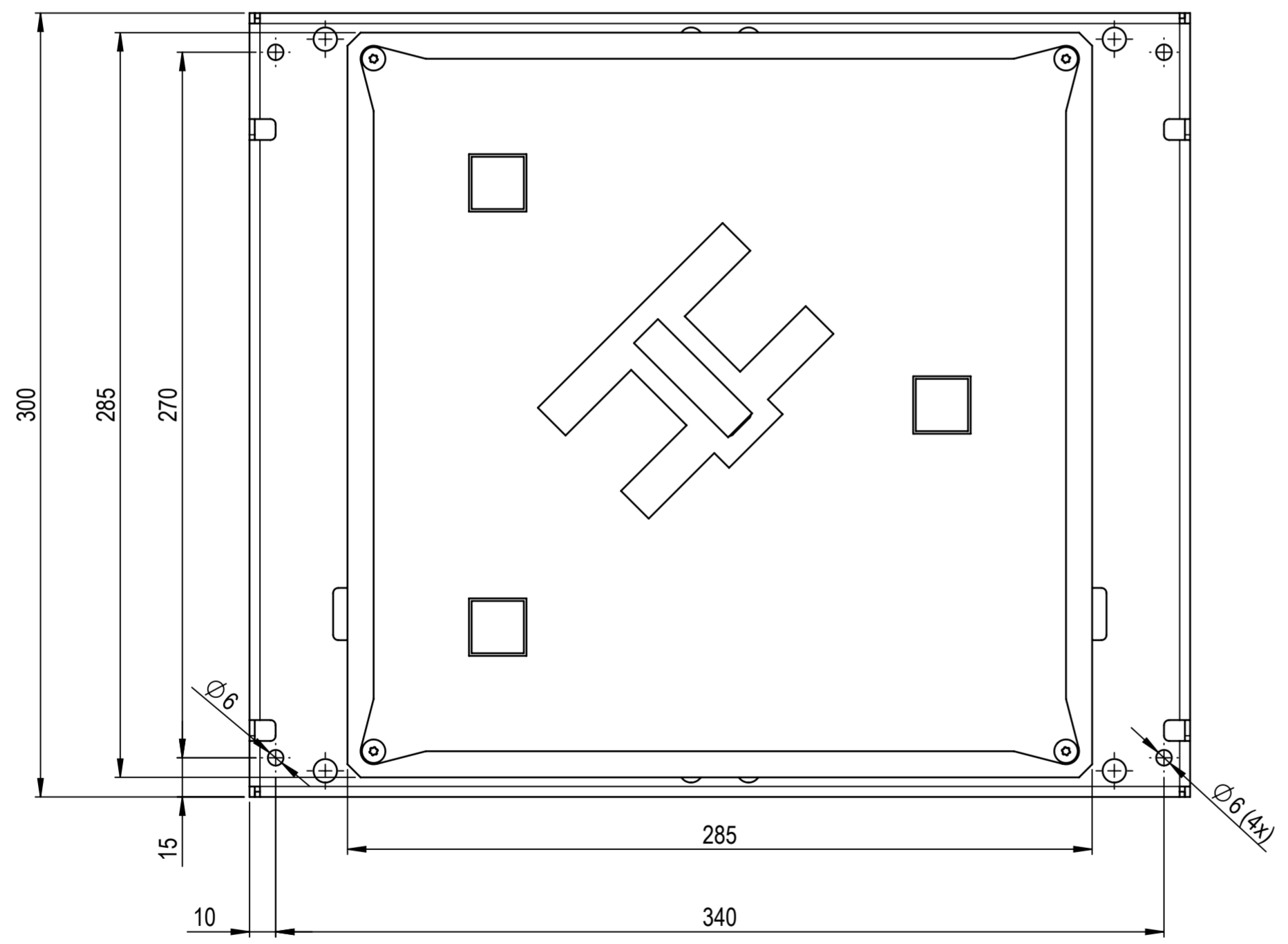
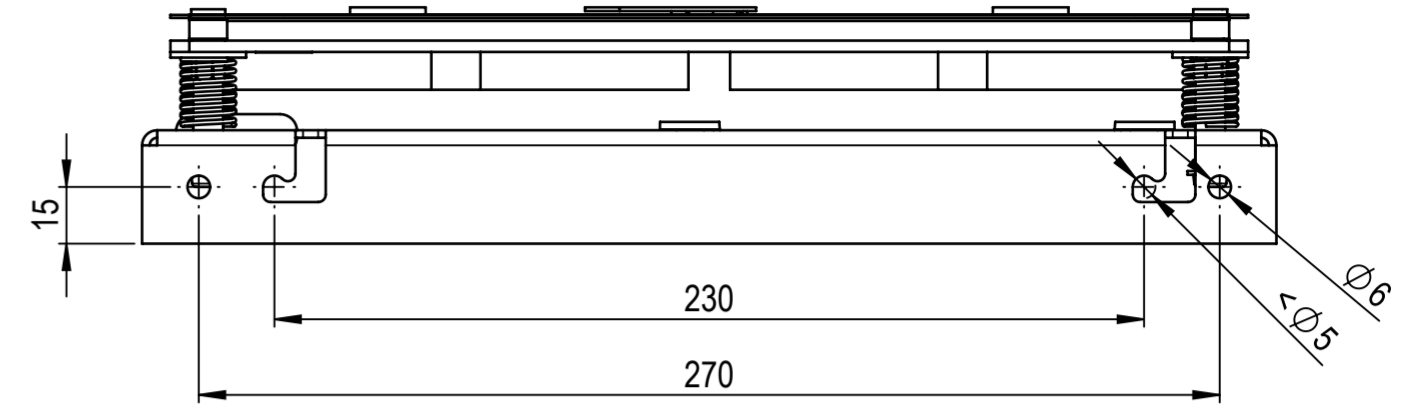
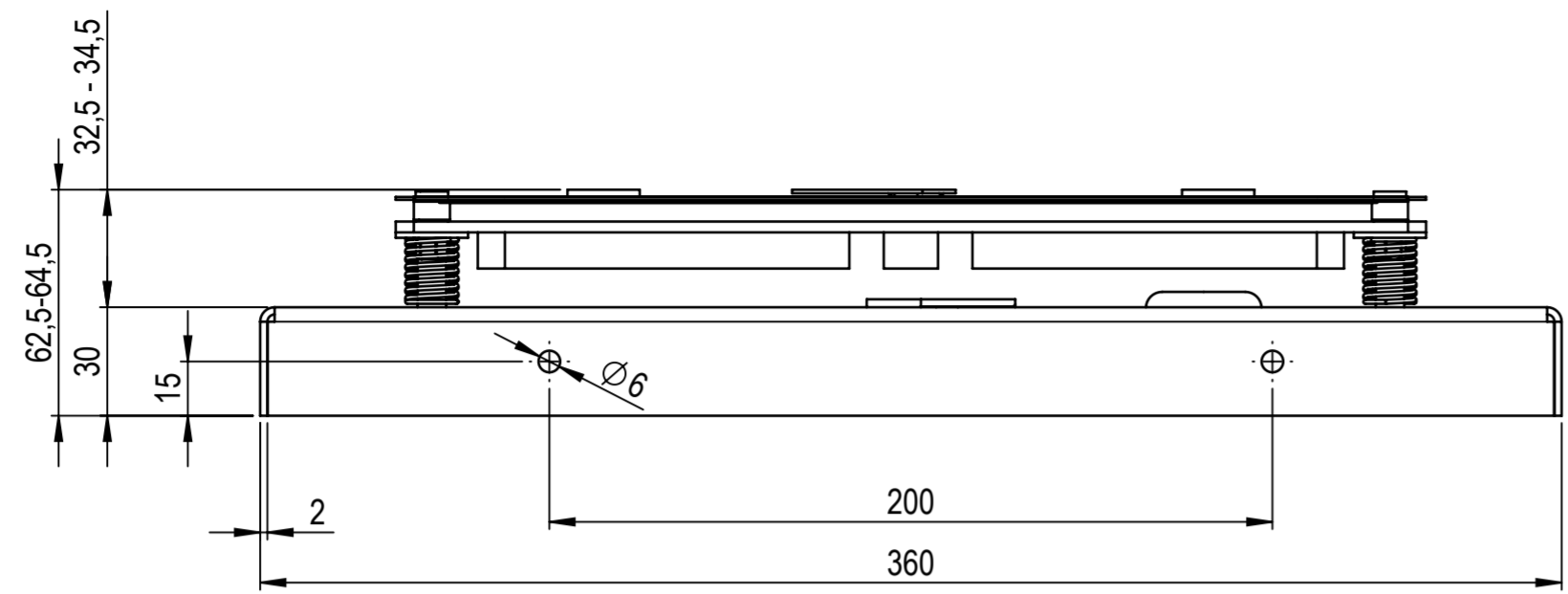


document id.: C000028197-001-00-A / state: 230 - released
 view date: 2023-11-09 11:21:08 / user: WINKLERA
 item id.: 78.98201.343-00/00A / SAP material state: 2A



				This document is exclusively committed to you for the agreed purpose. Any kind of duplication, utilization or communication of its content is prohibited, if not expressly conceded otherwise. Violators are committed to pay compensations. Any claims of existing or future property rights remain unaffected.			Blank No. EN Mat.No.		Scale Unit mm	
							Material		Scale 1:2	
							Surface Texture ISO 1302			
							General Tolerances ISO 2768-m			
				CAD Date Name			Designation			
0	W000000858	2020-12-07	2020-12-07	07.02.2019	GONZALEZO	78.98201.343				
Cha.	Information No.	Date	Proc.	07.02.2019	GONZALEZO	EGO Coil Car. 1X6C270/CD/G360/L/SIM				
F.Rel.			Rel.	03.11.2020	CAPELLAE					
							document id.		Stat. Sheets Doc. Ex.Doc.	
							C000028197-001-00-A		F	
Origin			Repl.for			Repl.by		Ref.		

document id.: C000028197-001-00-A / state: 230 - released
 view date: 2023-11-09 11:21:08 / user: WINKLERA
 item id.: 78.98201.343-00/00A / SAP material state: 2A



This document is exclusively committed to you for the agreed purpose. Any kind of duplication, utilization or communication of its content is prohibited, if not expressly conceded otherwise. Violators are committed to pay compensations. Any claims of existing or future property rights remain unaffected.						Blank No.	EN Mat.No.	Scale Unit		
						Material		mm		
						Surface Texture	ISO 1302	Scale		
						General Tolerances	ISO 2768-m	1:2		
						CAD	Date	Name		
0	W000000858	2020-12-07	Creat.	07.02.2019	GONZALEZO	Designation				
Cha.	Information No.	Date	Proc.	07.02.2019	GONZALEZO	78.98201.343				
F.Rel.			Rel.	03.11.2020	CAPELLAE	EGO Coil Car. 1X6C270/CD/G360/L/SIM				
						document id.	Stat.	Sheets	Doc.	Ex.Doc.
						C000028197-001-00-A	F			
Origin			Repl.for			Repl.by			Ref.	